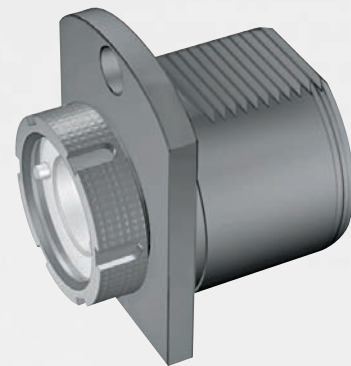
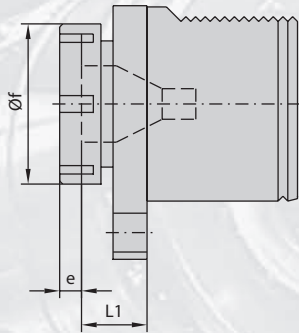


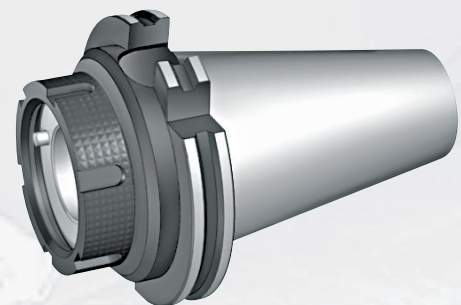
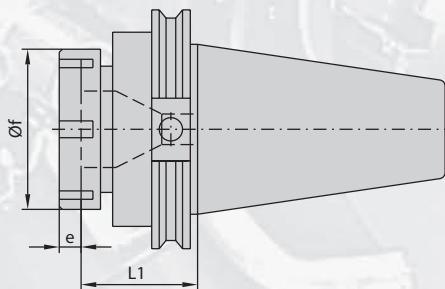
## Presetting adapter for WT System



### 2380...

Order wrenches separately!

Item No.	VDI	Clamping system				Dimensions		Spare parts		
	Size	Size	e	Øf	L1					
<b>238016080</b>	80	WT-16	5	32	22					00675... ...000414
<b>238020080</b>	80	WT-20	6.5	42	25					...000667
<b>238025080</b>	80	WT-25	7	50	25					...000415
<b>238032080</b>	80	WT-32	10	66	25					...000668



### 2381...

Order wrenches separately!

Item No.	V-flange	Clamping system				Dimensions		Spare parts		
	Size	Size	e	Øf	L1					
<b>238116050</b>	50	WT-16	5	32	43					00675... ...000564
<b>238120050</b>	50	WT-20	6.5	42	46					...000665
<b>238125050</b>	50	WT-25	7	50	46					...000547
<b>238132050</b>	50	WT-32	10	66	46					...000666