

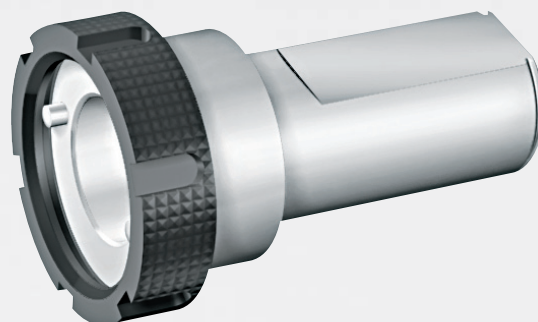
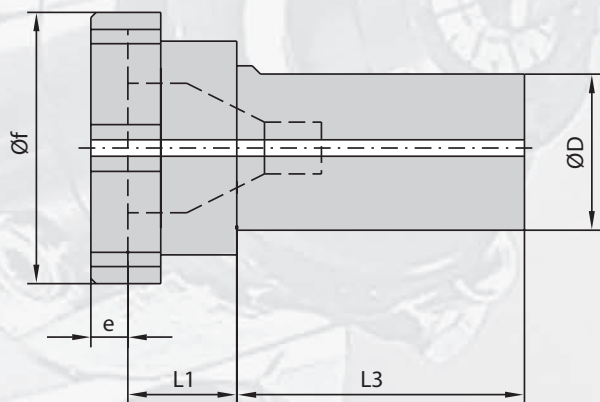
BORING BAR HOLDER

ISO 9001

WTO




WT System for boring bar holders

With cylindrical shank and flat
For flexible use of WT spindles in boring bar holders



2300...

Order wrenches separately!

Item No.	Shank ØD	Clamping system			Dimensions		Spare parts		
		Size	e	Øf	L1	L3			
230016016	16	WT-16	5	32	12	40	42564	45300	00675... ...000895
230020025	25	WT-20	6.5	42	12	50	48395	48457	...000680
230025025	25	WT-25	7	50	20	50	44236	42406	...000681
230025032	32	WT-25	7	50	8	60	44236	42406	...000681
230032032	32	WT-32	10	66	20	60	52512	50108	...000682
230032040	40	WT-32	10	66	12	70	52512	50108	...000682