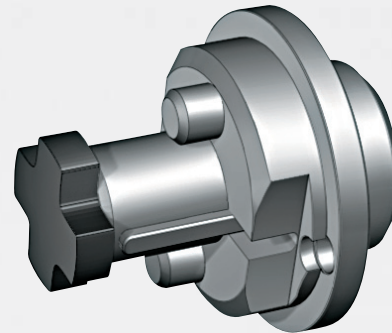
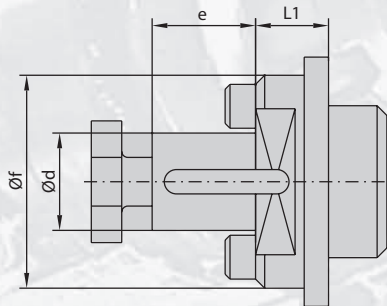


## Combination arbor for WT System

Usable:  
 with removable drive key for shell mills  
 with removable square key for saw cutters  
 without keys for saw cutters without slot



### 2202...

Order wrenches separately!

Item No.	WT System Size	Clamping system			Dimensions		Remarks	Spare parts		00675...
		Ød	e	Øf	L1					
220220016	WT-20	16	27	32	12		drive dog ring DIN 6366	26217		...000676
220225010	WT-25	10	16	20	10		without drive dogs	26222		...000822
220225013	WT-25	13	17	35	12			26221	73080	...000778
220225016	WT-25	16	17	35	12			26217	64876	...000676
220225022	WT-25	22	19	35	13			26218	73081	...000677
220232016	WT-32	16	17	35	15			26217	64876	...000676
220232022	WT-32	22	19	42	16			26218	64875	...000677
220232027	WT-32	27	21	48	17			26219	64874	...000678