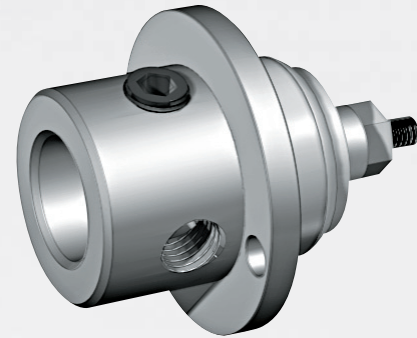
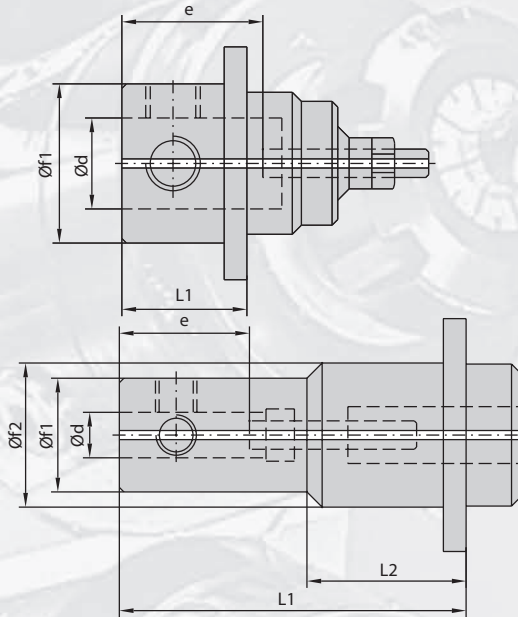




## Weldon / Whistle-Notch for WT System

For end mills with shank according DIN 1835B or DIN 1835E  
 Set screw at 0° and 2° angle  
 Other special lengths available on request!



2201...

Item No.	WT System	Clamping system				Dimensions		Remarks	Spare parts		
		Size	$\varnothing d$	e	$\varnothing f_1$	$\varnothing f_2$	L1		L2		
220116006	WT-16		6	30	20		24			64868	12877
220116008	WT-16		8	30	20		24			64868	12877
220116010	WT-16		10	35	20		29			64868	12877
220125006	WT-25		6	31	20		18			64869	12882
220125008	WT-25		8	32	22		18			64869	12927
220125010	WT-25		10	35	28		22			64869	12992
220125012	WT-25		12	35	28		22			64869	12992
220125014	WT-25		14	35	28		22			64869	12992
220125016	WT-25		16	35	28		22			64869	12992
220132006	WT-32		6	40	25		32			64872	12887
220132008	WT-32		8	40	28		32			64872	12932
220132010	WT-32		10	44	35		35			64871	12997
220132012	WT-32		12	49	42		40			64871	33247
220132014	WT-32		14	49	44		40			64871	33247
220132016	WT-32		16	52	48		40			64871	33247
220132018	WT-32		18	52	48		42			64871	32841
220132020	WT-32		20	54	48		42			64871	32841
220132025	WT-32		25	60	48		68			64873	30944
220125006-31	WT-25		6	32	20		31		extended length	44237	12882
220125006-65	WT-25		6	40	20	25	65	30	extended length	44237	12882
220125006-75	WT-25		6	40	20	25	75	40	extended length	44237	12882
220125008-65	WT-25		8	40	22	25	65	30	extended length	44237	12927
220125008-75	WT-25		8	40	22	25	75	40	extended length	44237	12927
220125010-65	WT-25		10	44	28		65		extended length	44237	12992
220125010-75	WT-25		10	44	28		75		extended length	44237	12992
220125012-45	WT-25		12	46	28		45		extended length	44237	12992
220125012-65	WT-25		12	45	28		65		extended length	44237	12992
220125014-65	WT-25		14	50	28		65		extended length	44237	12992
220125014-75	WT-25		14	50	28		75		extended length	44237	12992
220125016-65	WT-25		16	50	28		65		extended length	44237	12992
220132006-65	WT-32		6	40	20	25	65	30	extended length	44237	12882
220132008-65	WT-32		8	40	20	25	65	30	extended length	33604	12927
220132010-65	WT-32		10	44	35		65		extended length	32626	12997
220132012-65	WT-32		12	49	42		65		extended length	32626	33247
220132014-65	WT-32		14	49	44		65		extended length	32626	33247
220132016-65	WT-32		16	52	48		65		extended length	28861	33247
220132018-65	WT-32		18	52	48		65		extended length	28861	32841
220132020-65	WT-32		20	54	48		65		extended length	28861	32841