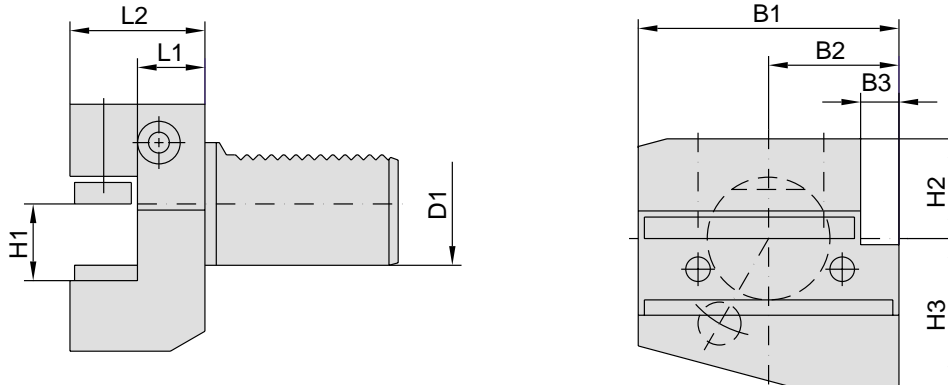


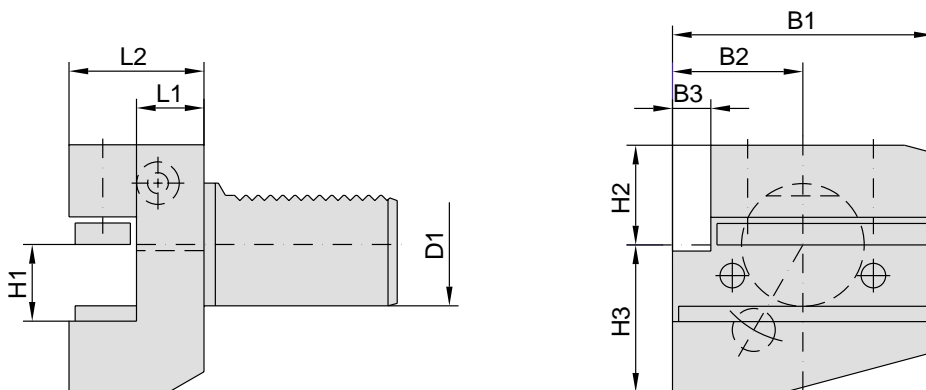
## Radial Square Toolholder, right hand, short, **Form B1**



### 48-B1-...

Item No.	D1	H1	B1	B2	B3	H2	H3	L1	L2
48-B1-16x12	16	12	42	23	5	20	22	13	24
48-B1-16x12x34	16	12	42	23	5	20	22	23	34
48-B1-20x16	20	16/12	55	30	7	25	30	16	30
48-B1-20x16x40	20	16/12	55	30	7	25	30	26	40
48-B1-25x16	25	16/12	55	30	7	25	30	16	30
48-B1-25x16x40	25	16/12	55	30	7	25	30	26	40
48-B1-30x20	30	20/16	70	35	10	28	38	22	40
48-B1-30x20x60	30	20/16	70	35	10	28	38	42	60
48-B1-40x25	40	25/20	85	42.5	12.5	32.5	48	22	44
48-B1-50x32	50	32/25	100	50	16	35	60	30	55
48-B1-60x32	60	32/25	125	62.5	16	42.5	62.5	30	60

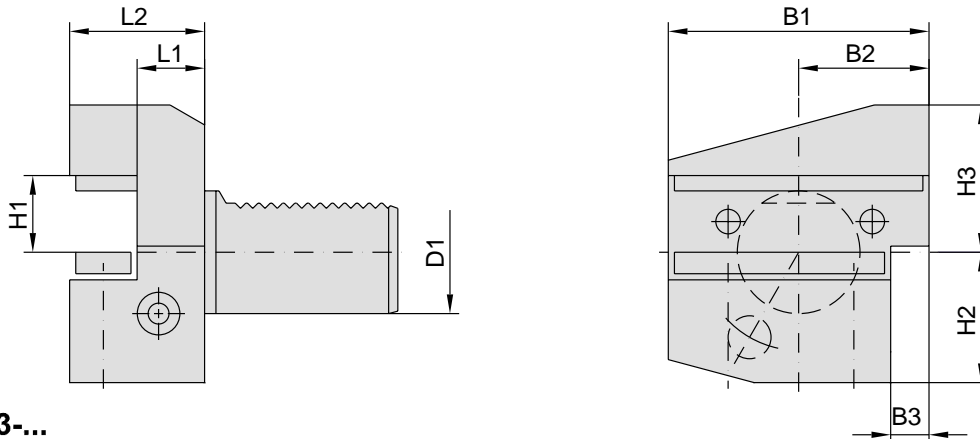
## Radial Square Toolholder, left hand, short, **Form B2**



### 48-B2-...

Item No.	D1	H1	B1	B2	B3	H2	H3	L1	L2
48-B2-16x12	16	12	42	23	5	20	22	13	24
48-B2-16x12x34	16	12	42	23	5	20	22	23	34
48-B2-20x16	20	16/12	55	30	7	25	30	16	30
48-B2-20x16x40	20	16/12	55	30	7	25	30	26	40
48-B2-25x16	25	16/12	55	30	7	25	30	16	30
48-B2-25x16x40	25	16/12	55	30	7	25	30	26	40
48-B2-30x20	30	20/16	70	35	10	28	38	22	40
48-B2-30x20x60	30	20/16	70	35	10	28	38	42	60
48-B2-40x25	40	25/20	85	42.5	12.5	32.5	48	22	44
48-B2-50x32	50	32/25	100	50	16	35	60	30	55
48-B2-60x32	60	32/25	125	62.5	16	42.5	62.5	30	60

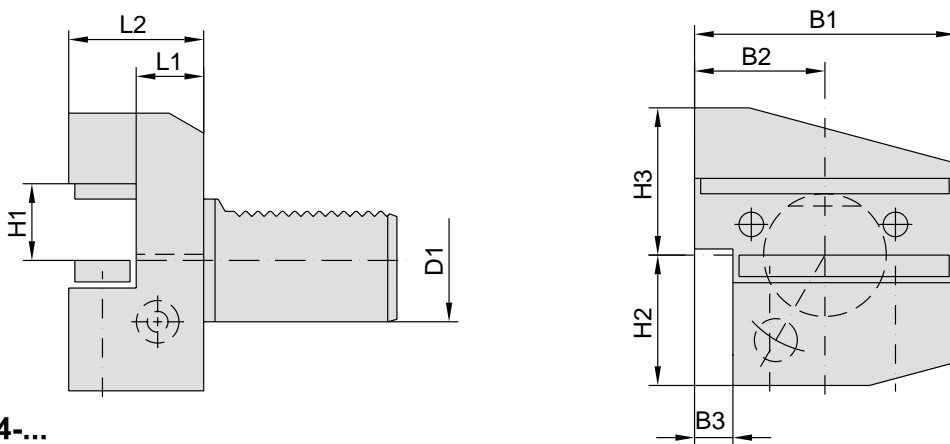
## Radial Square Toolholder, right hand inverted, short, **Form B3**



### 48-B3-...

Item No.	D1	H1	B1	B2	B3	H2	H3	L1	L2
48-B3-16x12	16	12	42	23	5	20	22	13	24
48-B3-16x12x34	16	12	42	23	5	20	22	23	34
48-B3-20x16	20	16/12	55	30	7	25	30	16	30
48-B3-20x16x40	20	16/12	55	30	7	25	30	26	40
48-B3-25x16	25	16/12	55	30	7	25	30	16	30
48-B3-25x16x40	25	16/12	55	30	7	25	30	26	40
48-B3-30x20	30	20/16	70	35	10	35	38	22	40
48-B3-30x20x60	30	20/16	70	35	10	35	38	42	60
48-B3-40x25	40	25/20	85	42.5	12.5	42.5	48	22	44
48-B3-50x32	50	32/25	100	50	16	50	60	30	55
48-B3-60x32	60	32/25	125	62.5	16	62.5	62.5	30	60

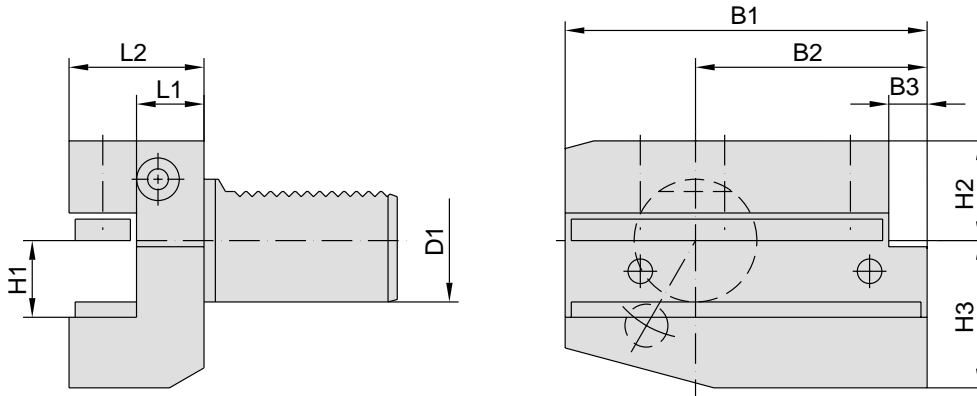
## Radial Square Toolholder, left hand inverted, short, **Form B4**



### 48-B4-...

Item No.	D1	H1	B1	B2	B3	H2	H3	L1	L2
48-B4-16x12	16	12	42	23	5	20	22	13	24
48-B4-16x12x34	16	12	42	23	5	20	22	23	34
48-B4-20x16	20	16/12	55	30	7	25	30	16	30
48-B4-20x16x40	20	16/12	55	30	7	25	30	26	40
48-B4-25x16	25	16/12	55	30	7	25	30	16	30
48-B4-25x16x40	25	16/12	55	30	7	25	30	26	40
48-B4-30x20	30	20/16	70	35	10	35	38	22	40
48-B4-30x20x60	30	20/16	70	35	10	35	38	42	60
48-B4-40x25	40	25/20	85	42.5	12.5	42.5	48	22	44
48-B4-50x32	50	32/25	100	50	16	50	60	30	55
48-B4-60x32	60	32/25	125	62.5	16	62.5	62.5	30	60

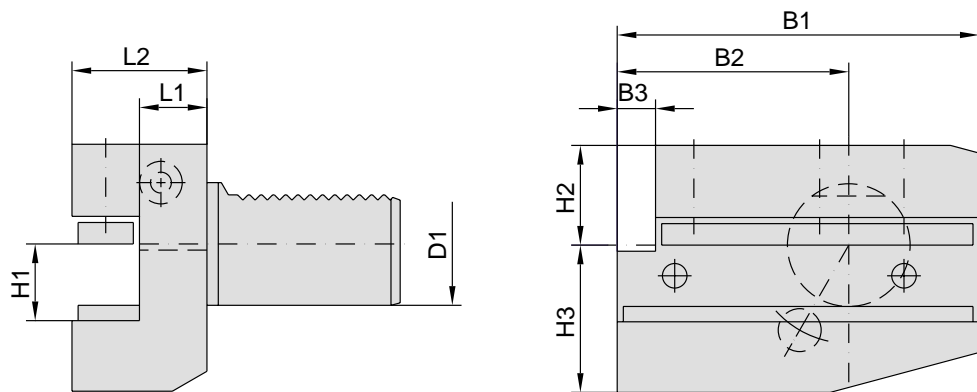
## Radial Square Toolholder, right hand, long, Form B5



### 48-B5-...

Item No.	D1	H1	B1	B2	B3	H2	H3	L1	L2
48-B5-16x12	16	12	58	39	5	20	22	13	24
48-B5-16x12x34	16	12	58	39	5	20	22	23	34
48-B5-20x16	20	16/12	75	50	7	25	30	16	30
48-B5-20x16x40	20	16/12	75	50	7	25	30	26	40
48-B5-25x16	25	16/12	75	50	7	25	30	16	30
48-B5-25x16x40	25	16/12	75	50	7	25	30	26	40
48-B5-30x20	30	20/16	100	65	10	28	38	22	40
48-B5-30x20x60	30	20/16	100	65	10	28	38	42	60
48-B5-40x25	40	25/20	118	75.5	12.5	32.5	48	22	44
48-B5-50x32	50	32/25	130	80	16	35	60	30	55
48-B5-60x32	60	32/25	145	82.5	16	42.5	62.5	30	60

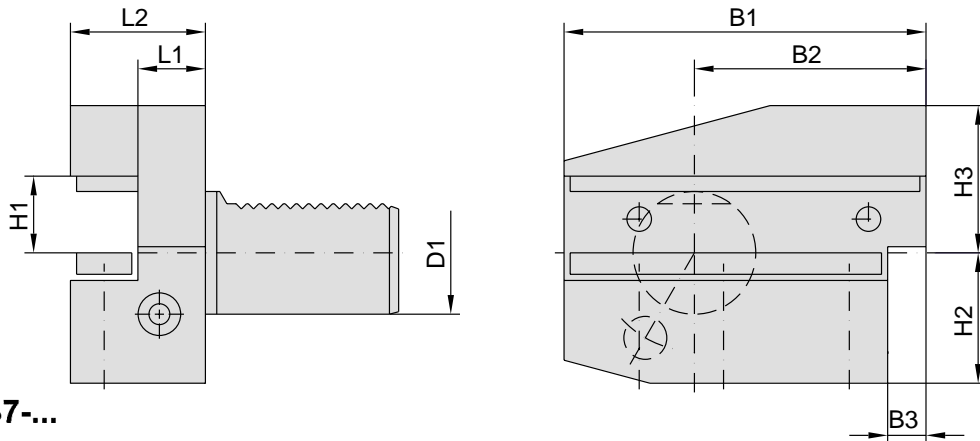
## Radial Square Toolholder, left hand, long, Form B6



### 48-B6-...

Item No.	D1	H1	B1	B2	B3	H2	H3	L1	L2
48-B6-16x12	16	12	58	39	5	20	22	13	24
48-B6-16x12x34	16	12	58	39	5	20	22	23	34
48-B6-20x16	20	16/12	75	50	7	25	30	16	30
48-B6-20x16x40	20	16/12	75	50	7	25	30	26	40
48-B6-25x16	25	16/12	75	50	7	25	30	16	30
48-B6-25x16x40	25	16/12	75	50	7	25	30	26	40
48-B6-30x20	30	20/16	100	65	10	28	38	22	40
48-B6-30x20x60	30	20/16	100	65	10	28	38	42	60
48-B6-40x25	40	25/20	118	75.5	12.5	32.5	48	22	44
48-B6-50x32	50	32/25	130	80	16	35	60	30	55
48-B6-60x32	60	32/25	145	82.5	16	42.5	62.5	30	60

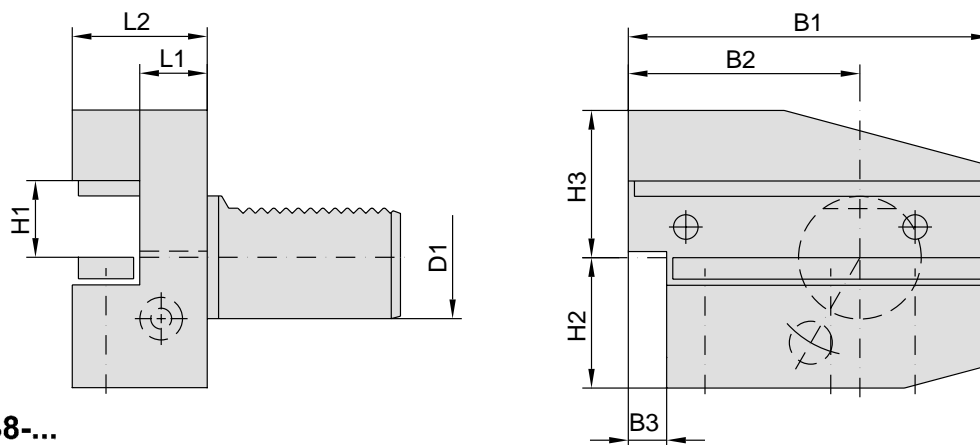
Radial Square Toolholder, right hand inverted, long, **Form B7**



48-B7-...

Item No.	D1	H1	B1	B2	B3	H2	H3	L1	L2
48-B7-16x12	16	12	58	39	5	20	22	13	24
48-B7-16x12x34	16	12	58	39	5	20	22	23	34
48-B7-20x16	20	16/12	75	50	7	25	30	16	30
48-B7-20x16x40	20	16/12	75	50	7	25	30	26	40
48-B7-25x16	25	16/12	75	50	7	25	30	16	30
48-B7-25x16x40	25	16/12	75	50	7	25	30	26	40
48-B7-30x20	30	20/16	100	65	10	35	38	22	40
48-B7-30x20x60	30	20/16	100	65	10	35	38	42	60
48-B7-40x25	40	25/20	118	75.5	12.5	42.5	48	22	44
48-B7-50x32	50	32/25	130	80	16	50	60	30	55
48-B7-60x32	60	32/25	145	82.5	16	62.5	62.5	30	60

Radial Square Toolholder, left hand inverted, long, **Form B8**



48-B8-...

Item No.	D1	H1	B1	B2	B3	H2	H3	L1	L2
48-B8-16x12	16	12	58	39	5	20	22	13	24
48-B8-16x12x34	16	12	58	39	5	20	22	23	34
48-B8-20x16	20	16/12	75	50	7	25	30	16	30
48-B8-20x16x40	20	16/12	75	50	7	25	30	26	40
48-B8-25x16	25	16/12	75	50	7	25	30	16	30
48-B8-25x16x40	25	16/12	75	50	7	25	30	26	40
48-B8-30x20	30	20/16	100	65	10	35	38	22	40
48-B8-30x20x60	30	20/16	100	65	10	35	38	42	60
48-B8-40x25	40	25/20	118	75.5	12.5	42.5	48	22	44
48-B8-50x32	50	32/25	130	80	16	50	60	30	55
48-B8-60x32	60	32/25	145	82.5	16	62.5	62.5	30	60