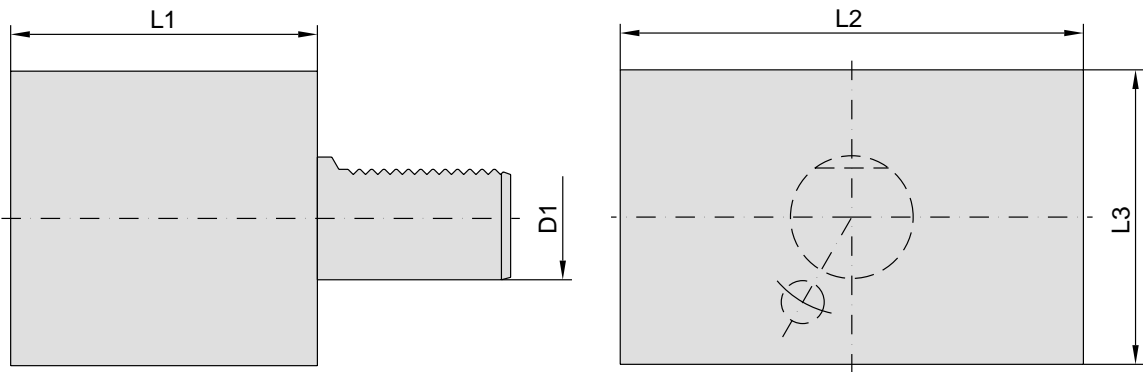


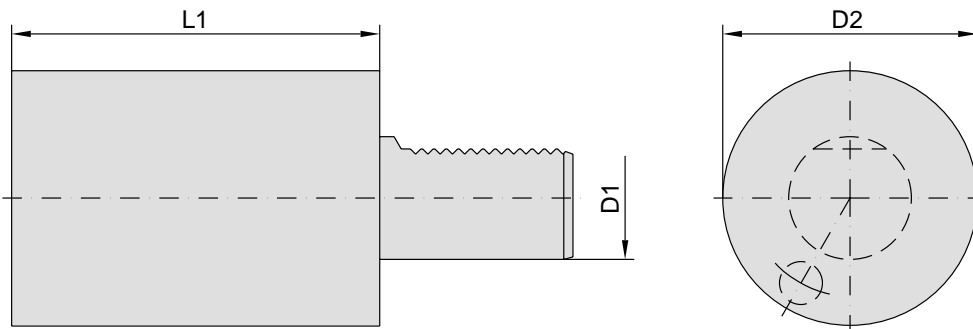
Toolholder Blank, rectangular, Form A1



48-A1-...

Item No.	D1	L1	L2	L3
48-A1-16x44	16	44	78	44
48-A1-20x65	20	65	100	60
48-A1-25x75	25	75	100	60
48-A1-30x85	30	85	130	76
48-A1-40x100	40	100	151	96
48-A1-50x125	50	125	160	120
48-A1-60x160	60	160	165	125

Toolholder Blank, round, Form A2



48-A2-...

Item No.	D1	D2	L1
48-A2-16x60	16	40	60
48-A2-20x70	20	50	70
48-A2-25x80	25	58	80
48-A2-25x200	25	58	200
48-A2-30x100	30	68	100
48-A2-30x240	30	68	240
48-A2-40x120	40	83	120
48-A2-40x320	40	83	320
48-A2-50x135	50	98	135
48-A2-50x400	50	98	400
48-A2-60x150	60	123	150
48-A2-60x480	60	123	480