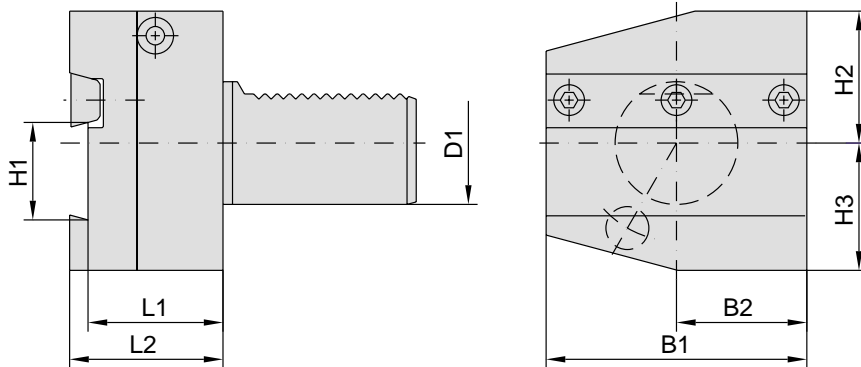


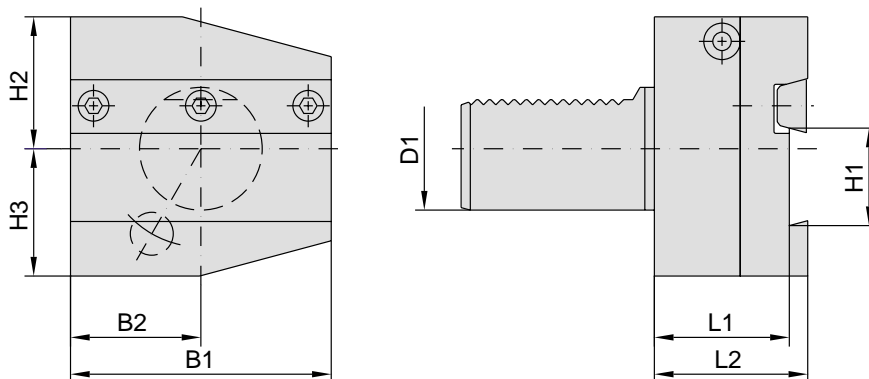
## Cut-Off Holder, adjustable height, right hand



### 48-AR-...

Item No.	D1	H1	B1	B2	H2	H3	L1	L2
48-AR-25x26	25	26	60	30	28	36	44	50
48-AR-30x26	30	26	70	35	32	39	44	50
48-AR-40x26	40	26	85	42.5	43	41.5	44	50
48-AR-40x32	40	32	85	42.5	43	41.5	44	50
48-AR-50x26	50	26	100	50	43	45	44	50
48-AR-50x32	50	32	100	50	43	45	44	50
48-AR-60x32	60	32	125	62.5	48	55	44	50

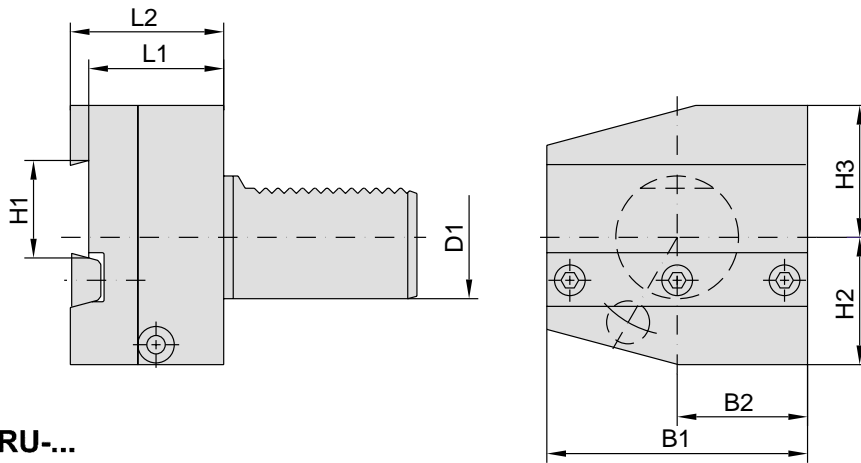
## Cut-Off Holder, adjustable height, left hand



### 48-AL-...

Item No.	D1	H1	B1	B2	H2	H3	L1	L2
48-AL-25x26	25	26	60	30	28	36	44	50
48-AL-30x26	30	26	70	35	32	39	44	50
48-AL-40x26	40	26	85	42.5	43	41.5	44	50
48-AL-40x32	40	32	85	42.5	43	41.5	44	50
48-AL-50x26	50	26	100	50	43	45	44	50
48-AL-50x32	50	32	100	50	43	45	44	50
48-AL-60x32	60	32	125	62.5	48	55	44	50

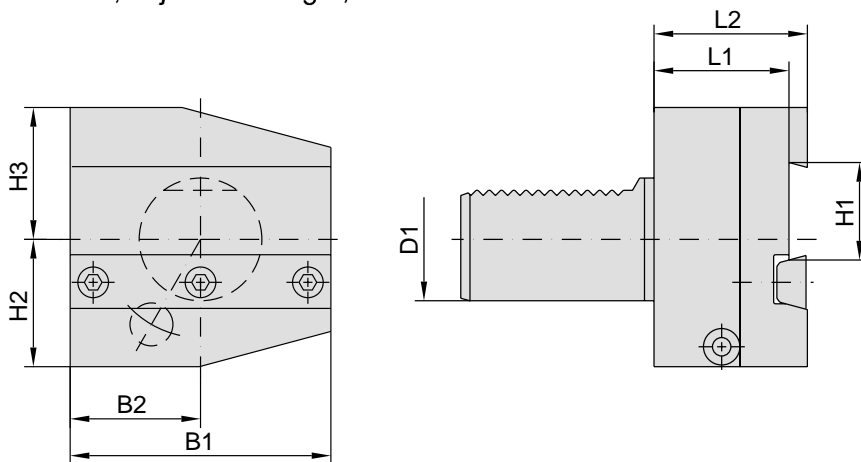
Cut-Off Holder, adjustable height, right hand inverted



**48-ARU-...**

Item No.	D1	H1	B1	B2	H2	H3	L1	L2
<b>48-ARU-25x26</b>	25	26	60	30	28	36	44	50
<b>48-ARU-30x26</b>	30	26	70	35	35	38	44	50
<b>48-ARU-40x26</b>	40	26	85	42.5	41.5	43	44	50
<b>48-ARU-40x32</b>	40	32	85	42.5	41.5	43	44	50
<b>48-ARU-50x26</b>	50	26	100	50	45	43	44	50
<b>48-ARU-50x32</b>	50	32	100	50	45	43	44	50
<b>48-ARU-60x32</b>	60	32	125	62.5	55	48	44	50

Cut-Off Holder, adjustable height, left hand inverted



**48-ALU-...**

Item No.	D1	H1	B1	B2	H2	H3	L1	L2
<b>48-ALU-25x26</b>	25	26	60	30	28	36	44	50
<b>48-ALU-30x26</b>	30	26	70	35	32	38	44	50
<b>48-ALU-40x26</b>	40	26	85	42.5	43	41.5	44	50
<b>48-ALU-40x32</b>	40	32	85	42.5	43.5	41.5	44	50
<b>48-ALU-50x26</b>	50	26	100	50	45	43	44	50
<b>48-ALU-50x32</b>	50	32	100	50	45	43	44	50
<b>48-ALU-60x32</b>	60	32	125	62.5	55	48	44	50