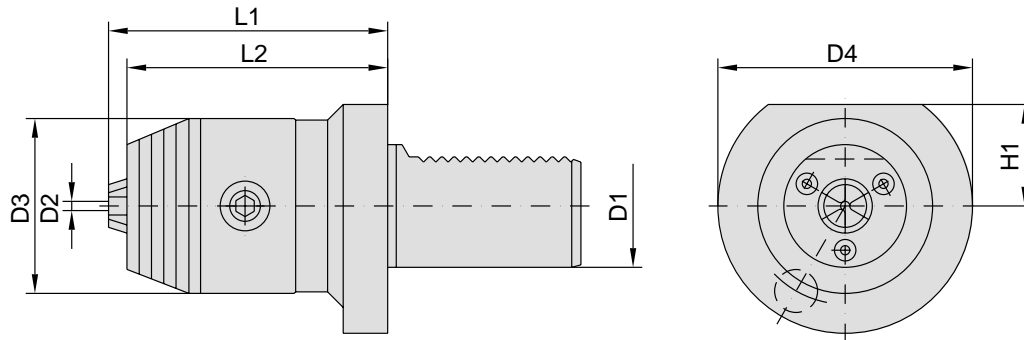


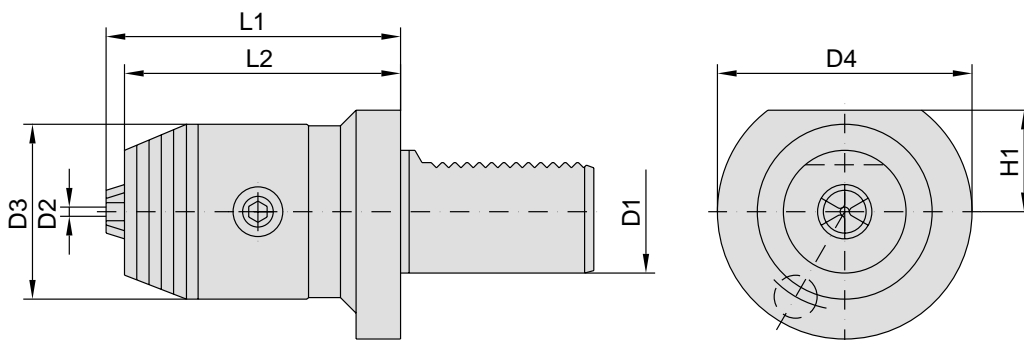
Precision Drill Chuck, external coolant supply



48-BE-...

Item No.	D1	D2 (clamping range)	D3	D4	H1	L1	L2
48-BE-16x8	16	0.5-8	40	40	18	63	60
48-BE-20x8	20	0.5-8	40	50	23	63	60
48-BE-20x13	20	1-13	57	57	-	88	82
48-BE-25x8	25	0.5-8	40	58	25	63	60
48-BE-30x8	30	0.5-8	40	68	28	63	60
48-BE-30x13	30	1-13	57	68	-	88	82
48-BE-30x16	30	3-16	57	68	-	93	82
48-BE-40x8	40	0.5-8	40	83	32.5	68	65
48-BE-40x13	40	1-13	57	83	32.5	91	85
48-BE-40x16	40	3-16	57	83	32.5	96	85
48-BE-50x13	50	1-13	57	98	35	91	85
48-BE-50x16	50	3-16	57	98	35	96	85
48-BE-60x16	60	3-16	57	123	42.5	103	92.5

Precision Drill Chuck, internal coolant supply



48-BI-...

Item No.	D1	D2 (clamping range)	D3	D4	H1	L1	L2
48-BI-16x8	16	0.5-8	36	40	18	71	68
48-BI-20x8	20	0.5-8	36	50	23	71	68
48-BI-20x13	20	1-13	50	57	-	96	90
48-BI-25x8	25	0.5-8	36	58	25	71	68
48-BI-30x8	30	0.5-8	36	68	28	71	68
48-BI-30x13	30	1-13	50	68	28	96	90
48-BI-30x16	30	3-16	57	68	-	101	90
48-BI-40x8	40	0.5-8	36	83	32.5	71	68
48-BI-40x13	40	1-13	50	83	32.5	96	90
48-BI-40x16	40	3-16	57	83	32.5	101	90
48-BI-50x13	50	1-13	50	98	35	96	90
48-BI-50x16	50	3-16	57	98	35	101	90
48-BI-60x16	60	3-16	57	123	42.5	101	90