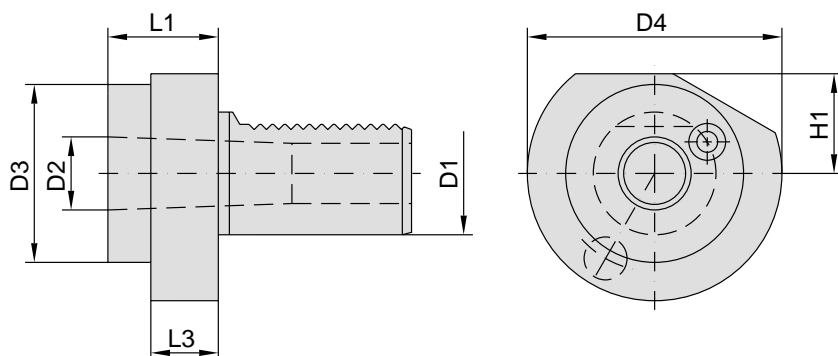


Morse Taper Holder, Form F



48-F-...

Item No.	D1	D2 (MK)	D3	D4	H1	L1	L3
48-F-16xMK1	16	1	-	40	-	61	-
48-F-16xMK2	16	2	-	42	-	72	-
48-F-20xMK1	20	1	-	50	-	23	-
48-F-20xMK2	20	2	45	50	-	41	22
48-F-25xMK1	25	1	45	58	25	23	18
48-F-25xMK2	25	2	45	58	25	34	18
48-F-25xMK3	25	3	49	58	25	91	18
48-F-30xMK1	30	1	-	68	28	27	-
48-F-30xMK2	30	2	55	68	28	36	27
48-F-30xMK3	30	3	55	68	28	66	41
48-F-40xMK2	40	2	55	83	32.5	36	22
48-F-40xMK3	40	3	58	83	32.5	36	22
48-F-40xMK4	40	4	68	83	32.5	80	22
48-F-50xMK2	50	2	55	98	35	36	30
48-F-50xMK3	50	3	58	98	35	45	30
48-F-50xMK4	50	4	68	98	35	55	30
48-F-50xMK5	50	5	75	98	35	72	30
48-F-60xMK2	60	2	55	123	42.5	35	30
48-F-60xMK3	60	3	58	123	42.5	45	30
48-F-60xMK4	60	4	68	123	42.5	55	30
48-F-60xMK5	60	5	88	123	42.5	63	30