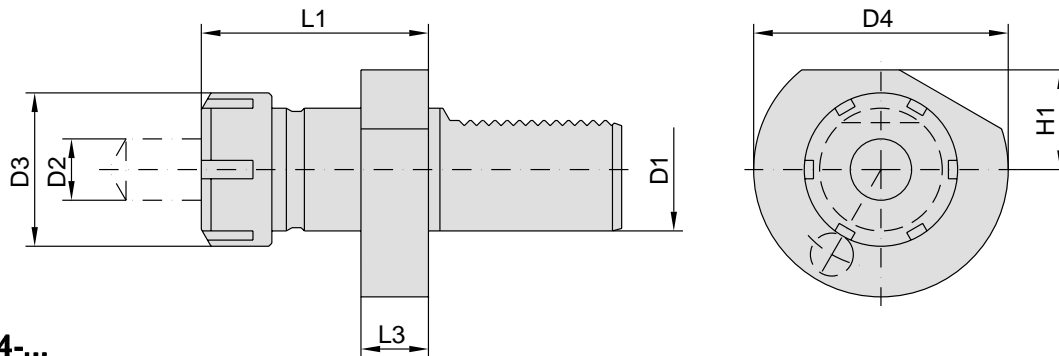


ER Collet Chuck Holder, Form E4



48-E4-...

Item No.	D1	Collet Size	D2 (clamping range)	D3	D4	H1	L1	L3
48-E4-16x16	16	ER-16	0.5-10	32	40	18	44	13
48-E4-16x20	16	ER-20	1-13	35	40	18	44	13
48-E4-20x25	20	ER-25	1-16	42	50	-	65	18
48-E4-20x32	20	ER-32	2-20	50	50	-	67	18
48-E4-25x25	25	ER-25	1-16	42	58	25	58	18
48-E4-25x32	25	ER-32	2-20	50	58	25	63	18
48-E4-30x25	30	ER-25	1-16	42	68	28	57	22
48-E4-30x32	30	ER-32	2-20	50	68	28	78	22
48-E4-30x40	30	ER-40	3-26	63	68	28	80	22
48-E4-40x25	40	ER-25	1-16	42	83	32.5	57	22
48-E4-40x32	40	ER-32	2-20	50	83	32.5	78	22
48-E4-40x40	40	ER-40	3-26	63	83	32.5	80	22
48-E4-50x32	50	ER-32	2-20	50	98	35	93	30
48-E4-50x40	50	ER-40	3-26	63	98	35	80	30
48-E4-60x32	60	ER-32	2-20	50	123	42.5	78	30
48-E4-60x40	60	ER-40	3-26	63	123	42.5	80	30