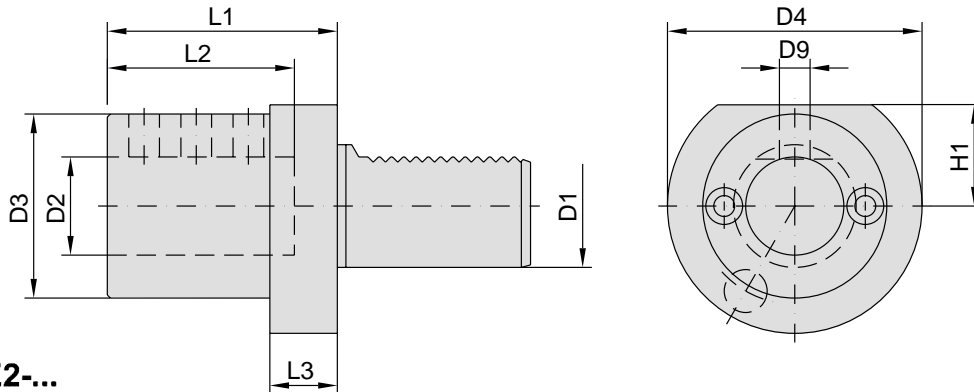


## Boring Bar Holder, internal and external coolant supply, Form E2



48-E2-...

Item No.	D1	D2	D3	D4	H1	L1	L2	L3	D9
48-E2-16x6	16	6	32	40	18	44	34	13	M6x16
48-E2-16x8	16	8	32	40	18	44	34	13	M6x12
48-E2-16x10	16	10	32	40	18	44	34	13	M6x12
48-E2-16x12	16	12	40	40	18	44	34	13	M8x12
48-E2-16x16	16	16	40	40	18	44	34	13	M8x12
48-E2-20x8	20	8	40	50	23	50	42	18	M6x16
48-E2-20x10	20	10	40	50	23	50	42	18	M8x16
48-E2-20x12	20	12	40	50	23	50	42	18	M8x16
48-E2-20x16	20	16	40	50	23	50	42	18	M8x12
48-E2-20x20	20	20	49	50	23	50	42	18	M8x12
48-E2-20x25	20	25	49	50	23	60	52	18	M8x10
48-E2-25x8	25	8	40	58	25	50	41	18	M6x25
48-E2-25x10	25	10	40	58	25	50	41	18	M6x25
48-E2-25x12	25	12	40	58	25	50	41	18	M8x16
48-E2-25x16	25	16	40	58	25	50	41	18	M8x16
48-E2-25x20	25	20	58	58	25	50	41	18	M8x16
48-E2-25x25	25	25	58	58	25	60	51	18	M8x16
48-E2-30x8	30	8	55	68	28	60	43	22	M6x25
48-E2-30x10	30	10	55	68	28	60	43	22	M6x25
48-E2-30x12	30	12	55	68	28	60	43	22	M8x20
48-E2-30x16	30	16	55	68	28	60	54	22	M8x20
48-E2-30x20	30	20	55	68	28	60	54	22	M8x20
48-E2-30x25	30	25	55	68	28	60	54	22	M8x16
48-E2-30x30	30	30	67	68	28	75	61	22	M8x16
48-E2-30x32	30	32	67	68	28	75	61	22	M8x16
48-E2-40x8	40	8	55	83	32.5	75	43	22	M8x25
48-E2-40x10	40	10	55	83	32.5	75	43	22	M8x25
48-E2-40x12	40	12	55	83	32.5	75	58	22	M8x25
48-E2-40x16	40	16	55	83	32.5	75	61	22	M10x25
48-E2-40x20	40	20	55	83	32.5	75	61	22	M10x20
48-E2-40x25	40	25	55	83	32.5	75	61	22	M10x20
48-E2-40x30	40	30	82	83	32.5	75	61	22	M10x20
48-E2-40x32	40	32	82	83	32.5	75	61	22	M10x20
48-E2-40x40	40	40	82	83	32.5	90	76	22	M10x16
48-E2-50x12	50	12	68	98	35	90	71	30	M8x30
48-E2-50x16	50	16	68	98	35	90	76	30	M10x30
48-E2-50x20	50	20	68	98	35	90	76	30	M12x25
48-E2-50x25	50	25	68	98	35	90	76	30	M12x25
48-E2-50x30	50	30	68	98	35	90	76	30	M12x20
48-E2-50x32	50	32	68	98	35	90	76	30	M12x20
48-E2-50x40	50	40	98	98	35	90	76	30	M12x16
48-E2-50x50	50	50	98	98	35	100	86	30	M12x12
48-E2-60x16	60	16	68	123	42.5	90	76	30	M10x30
48-E2-60x20	60	20	68	123	42.5	90	76	30	M12x25
48-E2-60x25	60	25	68	123	42.5	90	76	30	M12x25
48-E2-60x32	60	32	68	123	42.5	90	76	30	M12x20
48-E2-60x40	60	40	98	123	42.5	90	76	30	M12x20
48-E2-60x50	60	50	98	123	42.5	100	86	30	M12x16