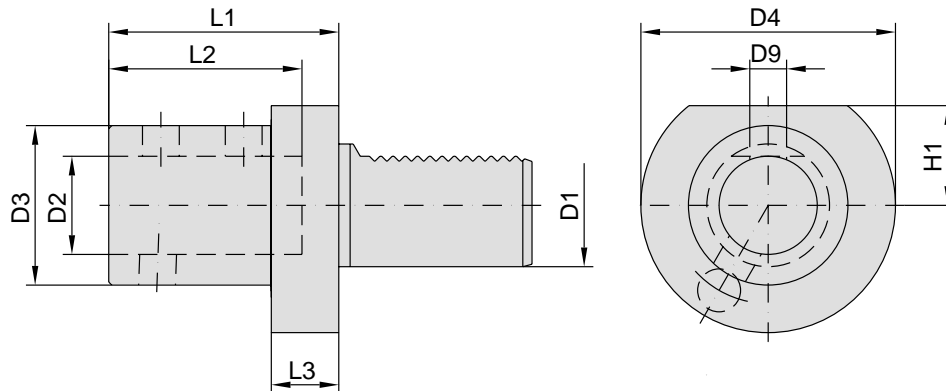


Holder for Indexable Insert Drills, internal coolant supply, **Form E1**



48-E1-...

Item No.	D1	D2	D3	D4	H1	L1	L2	L3	D9
48-E1-20x16	20	16	36	50	-	67	54	18	M10x1x11
48-E1-20x20	20	20	40	50	-	67	54	18	M10x1x11
48-E1-20x25	20	25	45	50	-	71	59	18	M12x1x12
48-E1-25x16	25	16	36	58	25	67	54	18	M10x1x11
48-E1-25x20	25	20	40	58	25	67	54	18	M10x1x11
48-E1-25x25	25	25	45	58	25	71	59	18	M12x1x12
48-E1-25x32	25	32	52	58	25	75	63	18	M12x1x12
48-E1-30x16	30	16	36	68	28	67	54	22	M10x1x11
48-E1-30x20	30	20	40	68	28	67	54	22	M10x1x11
48-E1-30x25	30	25	45	68	28	71	59	22	M12x1x12
48-E1-30x32	30	32	52	68	28	75	63	22	M12x1x12
48-E1-40x16	40	16	36	83	32.5	67	54	22	M10x1x11
48-E1-40x20	40	20	40	83	32.5	67	54	22	M10x1x11
48-E1-40x25	40	25	45	83	32.5	75	59	22	M12x1x12
48-E1-40x32	40	32	52	83	32.5	75	63	22	M12x1x12
48-E1-40x40	40	40	65	83	32.5	90	73	22	M16x1x13
48-E1-50x16	50	16	36	98	35	80	54	30	M10x1x11
48-E1-50x20	50	20	40	98	35	80	54	30	M10x1x11
48-E1-50x25	50	25	45	98	35	80	59	30	M12x1x12
48-E1-50x32	50	32	52	98	35	80	63	30	M12x1x12
48-E1-50x40	50	40	65	98	35	90	73	30	M16x1x13
48-E1-50x50	50	50	75	98	35	100	83	30	M16x1x13
48-E1-60x16	60	16	36	123	42.5	80	54	30	M10x1x11
48-E1-60x20	60	20	40	123	42.5	80	54	30	M10x1x11
48-E1-60x25	60	25	45	123	42.5	80	59	30	M12x1x12
48-E1-60x32	60	32	52	123	42.5	80	63	30	M12x1x12
48-E1-60x40	60	40	65	123	42.5	90	73	30	M16x1x13
48-E1-60x50	60	50	75	123	42.5	100	83	30	M16x1x13