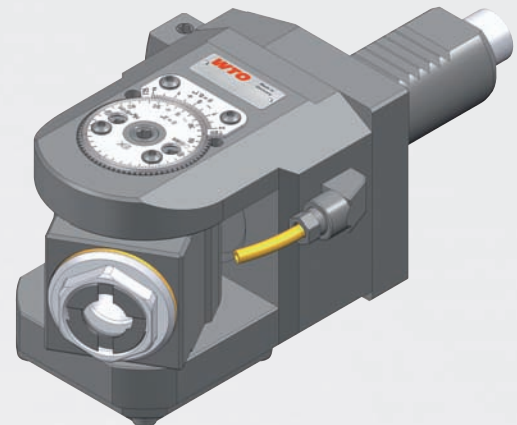
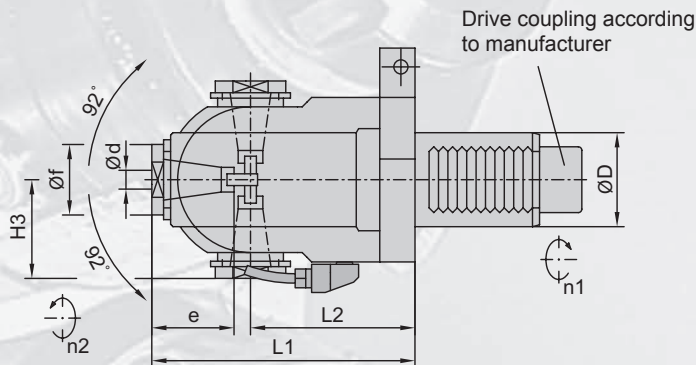


Adjustable angle drill/milling unit - for ER style collet

Please select suitable turret specification from the Machine Type listing!
 Typ A: Face mounted
 Typ B: O. D. mounted
Adjustment: -92° to +92°
 with vernier scale (0.1°)



4110... (EC) with external coolant supply

Order wrenches separately!

Item No.	Turret specification				Clamping System				Dimensions / Data					Wrench 00675...
	ØD	Turret manufacturer	Typ	Drive coupling	Size	Ød	e	Øf	L1	L2	H3	M Nm	Ratio n1:n2	
411010003-25	25	Sauter	B	DIN 5480	ER-16A	.5-10	35	30	95	53	42	16	1:1	...000902
411010006-30	30	Baruffaldi	A	TOEM 160	ER-16A	.5-10	35	30	112	70	42	16	1:1	...000902
411010008-30	30	Duplomatic	A	DIN 1809	ER-16A	.5-10	35	30	112	70	42	16	1:1	...000902
411010010-30	30	Emco HT-665	B	DIN 5480	ER-16A	.5-10	35	30	102	60	42	16	1:1	...000902
411010012-30	30	Okuma LB 200-M	A	1-step	ER-16A	.5-10	35	30	112	70	42	16	1:1	...000902
411010001-30	30	Okuma LT 200-M	B	1-step	ER-16A	.5-10	35	30	112	70	42	16	1:1	...000902
411010003-30	30	Sauter	A	DIN 5480	ER-16A	.5-10	35	30	112	70	42	16	1:1	...000902
411010015-30	30	Sauter	B	DIN 5480	ER-16A	.5-10	35	30	102	60	42	16	1:1	...000902
411010017-30	30	Sauter	A	DIN 5482	ER-16A	.5-10	35	30	112	70	42	16	1:1	...000902
411016008-40	40	Baruffaldi	A	TOEM 200	ER-25	1-16	47	42	155	85	70	20	1:1	...000290
411016009-40	40	Duplomatic	A	DIN 1809	ER-25	1-16	47	42	155	85	70	20	1:1	...000290
411013020-40	40	Emag	B	DIN 1809	ER-20A	1-13	42	42	125	75	50	20	1:1	...000514
411016013-40	40	Emco HT-690	B	DIN 5480	ER-25	1-16	47	42	155	85	70	20	1:1	...000290
411013014-40	40*	Mazak MP-6100	B	DIN 1809	ER-20A	1-13	42	42	115	65	50	20	1:1	...000514
411016005-40	40*	Mazak MP-6200	B	DIN 1809	ER-25	1-16	47	42	155	85	70	20	1:1	...000290
411013011-40	40*	Mazak SQT-100M(S)	B	DIN 1809	ER-20A	1-13	42	42	115	65	50	20	1:1	...000514
411013012-40	40*	Mazak SQT-200M(S)	B	DIN 1809	ER-20A	1-13	42	42	135	85	50	20	1:1	...000514
411013016-40	40	Mori Seiki ZT2500Y	B	DIN 1809	ER-20A	1-13	42	42	148	100	48	20	1:1	...000514
411016010-40	40	Okuma LB 300-M	A	1-step	ER-25	1-16	47	42	155	85	70	20	1:1	...000290
411016011-40	40	Okuma LB 400-M	A	1-step	ER-25	1-16	47	42	155	85	70	20	1:1	...000290
411020002-40	40	Okuma LB 400-M	A	1-step	ER-32	2-20	60	50	210	113	97	40	1.1:1	...000093
411013015-40	40	Okuma LT 300-M	B	1-step	ER-20A	1-13	42	42	115	65	50	20	1:1	...000514
411013013-40	40	Okuma LT 400-M	B	1-step	ER-20A	1-13	42	42	133	85	48	20	1:1	...000514
411013019-40	40	Sauter (L2=100)	A,B	DIN 5480	ER-20A	1-13	42	42	115	65	50	20	1:1	...000514
411013018-40	40	Sauter (L2=120)	B	DIN 5480	ER-20A	1-13	42	42	135	85	50	20	1:1	...000514
411016006-40	40	Sauter	A,B	DIN 5480	ER-25	1-16	47	42	135	65	70	20	1:1	...000290
411016000-40	40	Sauter	A	DIN 5482	ER-25	1-16	47	42	155	85	70	20	1:1	...000290
411020004-50	50	Baruffaldi	A	TOEM 250	ER-32	2-20	60	50	210	113	97	40	1.1:1	...000093
411020002-50	50	Duplomatic	A	DIN 1809	ER-32	2-20	60	50	210	113	97	40	1.1:1	...000093
411016005-50	50	Emag	B	DIN 1809	ER-25A	1-16	48	40	157	88	69	40	1.1:1	...000466
411020005-50	50	Okuma LB 35II-M	A	2-step	ER-32	2-20	60	50	210	113	97	40	1.1:1	...000093
411020006-50	50	Okuma LU 35-M	A	1-step	ER-32	2-20	60	50	210	113	97	40	1.1:1	...000093
411020008-50	50	Sauter	A,B	DIN 5480	ER-32	2-20	60	50	210	113	97	40	1.1:1	...000093
411020000-50	50	Sauter	A	DIN 5482	ER-32	2-20	60	50	210	113	97	40	1.1:1	...000093
411026002-60	60	Duplomatic	A	DIN 1809	ER-40	3-26	73	63	290	145	145	85	1:1	...000124
411026000-60	60	Okuma LU 45-M	A	1-step	ER-40	3-26	73	63	290	145	145	85	1:1	...000124
411026001-60	60	Sauter	A	DIN 5482	ER-40	3-26	73	63	290	145	145	85	1:1	...000124

*no VDI standard