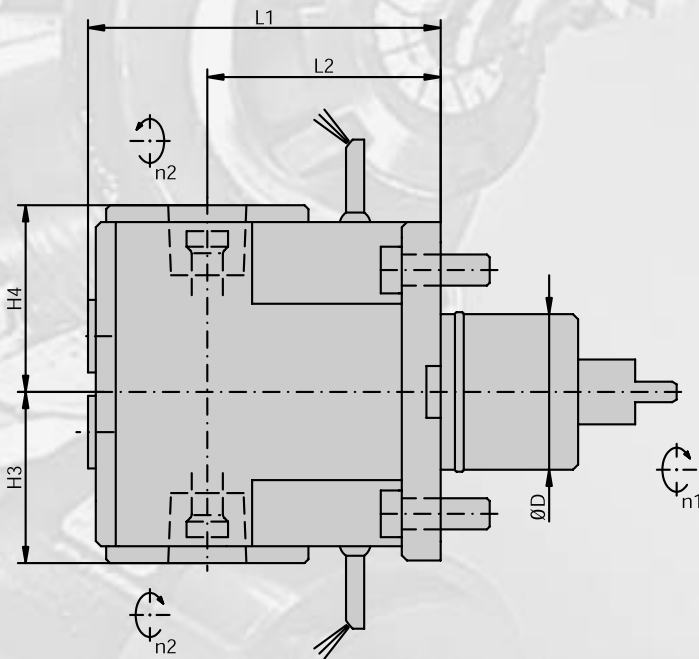


Right angle double spindle drill/milling unit with Coromant Capto™

Suitable for standard turret
Ratio = 1:1



4105... (EC) with external coolant supply only

Torque wrench must be used!

Item No.	Turret specification			Clamping System	Dimensions / Data					Drw. No.
	ØD	Machine manufacturer	Max. RPM		Size	L1	L2	H3 H4	M Nm	
410504041-60	60	Mori Seiki NL-1000, -1500, -2500	6000	C4	136	90	64 70	63	1:1	343-830820... ... N1122
410505049-60	60	Mori Seiki NL-1000, -1500, -2500	6000	C5	136	90	64 86	63	1:1	... N1153