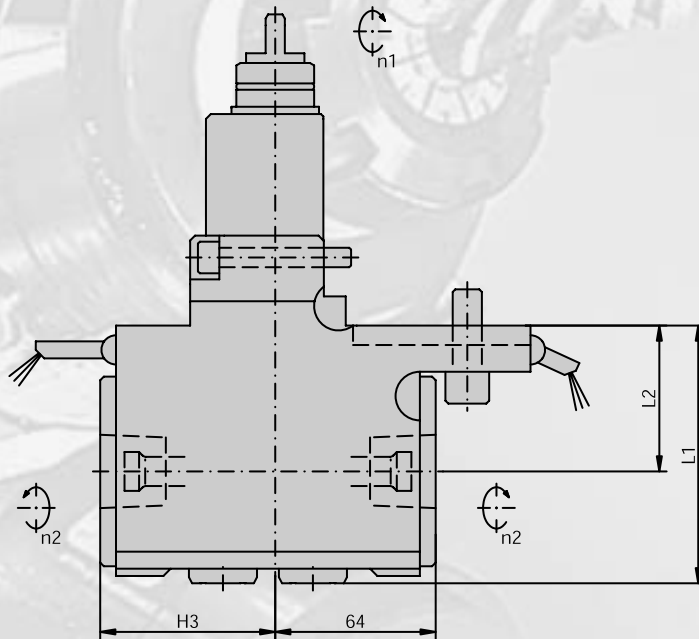


Right angle double spindle drill/milling unit with Coromant Capto™

Suitable for standard turret (not VDI turret)
 Check max. available tool length!
Ratio = 1:1



4105... (EC) with external coolant supply only

Torque wrench must be used!

Item No.	Turret specification			Clamping System	Dimensions / Data					Drw. No.
	ØD	Machine manufacturer	Max. RPM		Size	L1	L2	H3 H4	M Nm	
410503002-00	-	Mori Seiki SL-150	6000	C3	100	65	90 70	32	1:1	343-830820... ... N448
410504048-00	-	Mori Seiki SL/ZL-200, -250, SL-2500	6000	C4	106	60	70 64	63	1:1	... N843
410504045-00	-	Mori Seiki ZT-2500	6000	C4	126	80	64 70	63	1:1	... N836