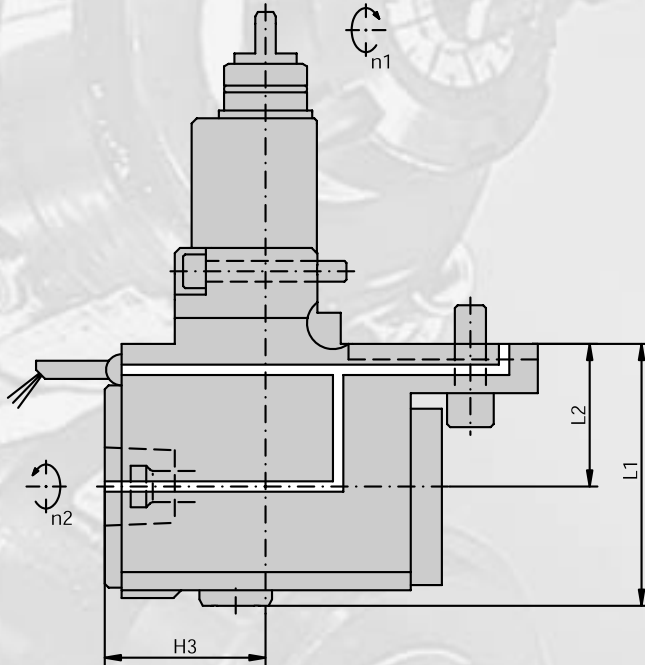


Straight drill/milling unit with Coromant Capto™

Suitable for standard turret (not VDI turret)
Check max. available tool length!

Ratio = 1:1

Max. coolant pressure = 435 PSI (30 bar)
(Check specified coolant pressure diagram!)



4101... (IC) with internal + external coolant supply

Torque wrench must be used!

Item No.	Turret specification			Clamping System		Dimensions / Data				Coolant Pressure diagram	Drw. No.
	∅D	Machine Manufacturer	Max. RPM	Size	b	L1	M Nm	Ratio n1:n2			
410103001-00	-	Mori Seiki SL-150 Mori Seiki DL-150	4000*	C3	76	24	32	1:1	D01010	343-830820... ... N98	
410104026-00	-	Mori Seiki SL/ZL-200, -250, SL-2500 Mori Seiki ZT-2500	4000*	C4	79 89	36	63	1:1	D01010	... N377	
410104027-00	-	Mori Seiki SL-300	4000*	C4	79	36	50	1:1	D01010	... N572	

* (IC) not for turret option with max. RPM = 6000.

4101... (EC) with external coolant supply only

Torque wrench must be used!

Item No.	Turret specification			Clamping System		Dimensions / Data				Drw. No.
	∅D	Machine manufacturer	Max. RPM	Size	b	L1	M Nm	Ratio n1:n2		
410103000-00	-	Mori Seiki SL-150 Mori Seiki DL-150	6000	C3	76	24	32	1:1	... N32	
410104025-00	-	Mori Seiki SL/ZL-200, -250, SL-2500 Mori Seiki ZT-2500	6000	C4	79 89	36	63	1:1	... N376	
410104028-00	-	Mori Seiki SL-300	6000	C4	79	36	50	1:1	... N573	